

- ✂ **3.3kV Ex segregation**
- ✂ **Wide operating voltage range**
- ✂ **Very low current consumption**
- ✂ **IECEX certified**
- ✂ **DIN rail mounting**
- ✂ **Designed for use with pilot lines in high voltage trailing cables**

DESCRIPTION

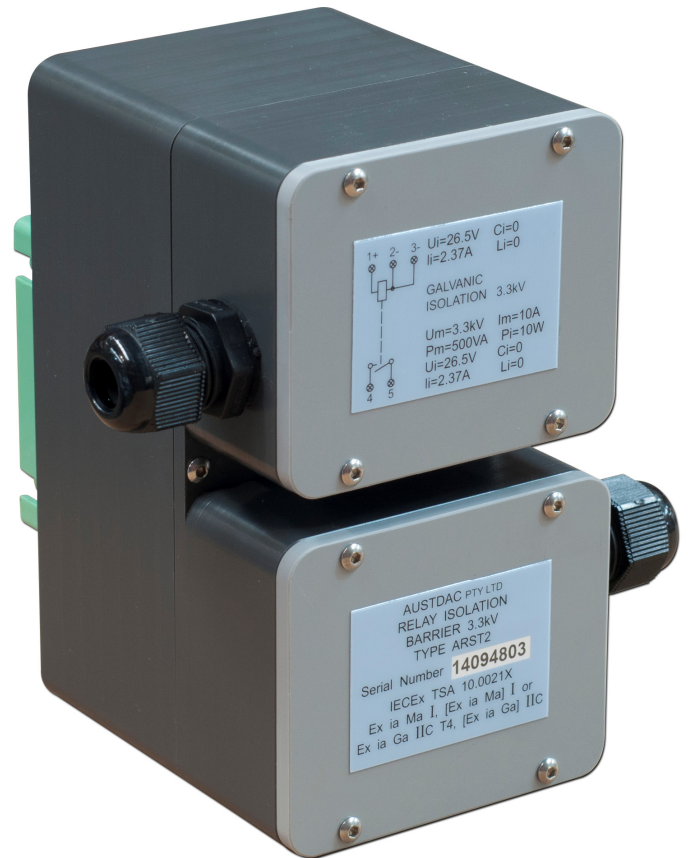
The relay isolation barrier type ARST2 is primarily designed to interface gas-monitoring equipment with pilot lines in trailing cables of electric powered underground machines such as road headers.

The ARST2 is capable of interfacing sensitive Ex certified gas monitoring equipment to pilot circuits in trailing cables operating at voltages up to 3.3kV.

The coil of the isolation barrier is connected to the gas monitoring system while the output contact is placed in series with the industry compliant pilot circuit. The gas monitoring system should keep the ARST2 energised to maintain the ARST2 output contact in the closed state thus completing the pilot circuit. If the ARST2 is de-energised the output contact will open and break the pilot circuit and remove power from the machine and trailing cable.

The relay isolation barrier coil operates from 7V to 26.5V and is extremely sensitive and only consumes between 12mA and 15mA making the ARST2 suitable for use in the battery powered gas monitoring systems found on underground electric machines.

The ARST2 has a wide operating temperature range of -20°C to + 60°C allowing to be mounted within machine compartments that can often reach 50°C to 60°C



The relay isolation barrier also finds application in any underground application where sensitive extra low voltage Ex certified equipment needs to interface with a pilot line in a high voltage cable.

CERTIFICATION

The relay isolation barrier type ARST2 is IECEX certified for use in groups I and IIC hazardous areas under certificate IECEX TSA 10.0021X [Ex ia Ma] I / [Ex ia Ga] IIC.



SPECIFICATION

GENERAL

Name	Relay isolation barrier
Type	ARST2
Isolation	9.1kV for 1 min
Segregation	3.3kV
Ingress protection	IP54
Size	145mm(W) x 80mm(H) x 110mm(D)
Mass	1200g
Fixing / mounting	TS35 DIN rail
Operating temperature	-20C to +60C
Storage temperature	-20C to +80C
Enclosure material	Grey PVC
Gland thread	M16

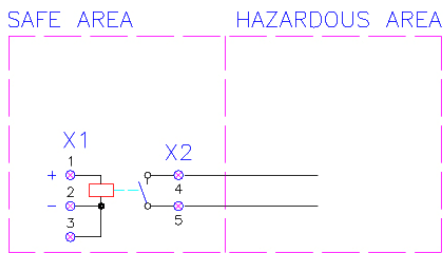
COIL INPUT PARAMETERS

Operating voltage	7 to 26.5Vdc
Operating current	12 to 15mA
Terminations	Clamp
Conductor size	2.5mm ² max
Ui	26.5V
Ii	2.37A
Ci	0uF
Li	0uH

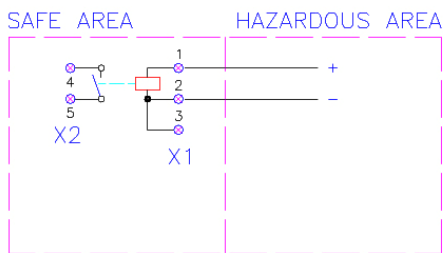
CONTACT OUTPUT PARAMETERS

Current	1A max
Resistance	10Ω max
Terminations	4mm screw – use ring lug
Um	3.3kV
Im	10A
Pm	500VA
Ui	26.5V
Ii	2.37A
Ci	0uF
Li	0uH
Pi	10W

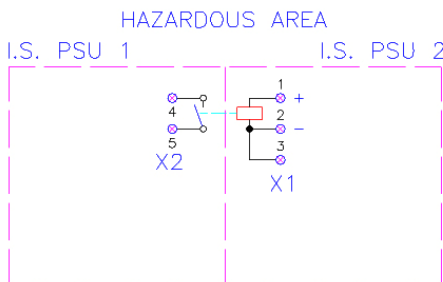
CONNECTION DIAGRAMS



ALTERNATIVE USE 1

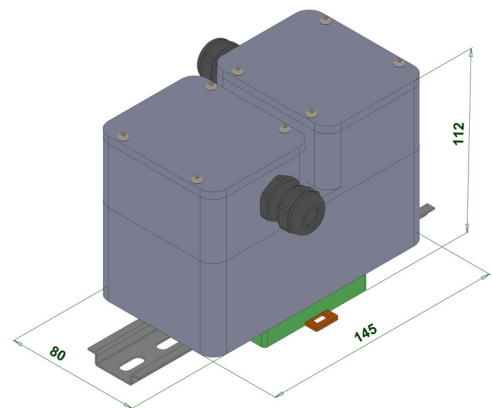


ALTERNATIVE USE 2



ALTERNATIVE USE 3

DIMENSIONS



ORDERING DETAILS

DESCRIPTION	ORDER CODE
RELAY ISOLATION BARRIER TYPE ARST2	BARR015B



AUSTDAC PTY LTD

HEAD OFFICE: CASTLE HILL AUSTRALIA
 MACKAY QLD AUSTRALIA BRANCH
 NORTH AMERICA BRANCH
 STAFFORDSHIRE UK BRANCH

+61 (0) 2 8851 5000
 +61 (0) 7 4955 2777
 +1 888 254 9155 (Toll Free in US and Canada)
 +44 (0) 1283 500 500

