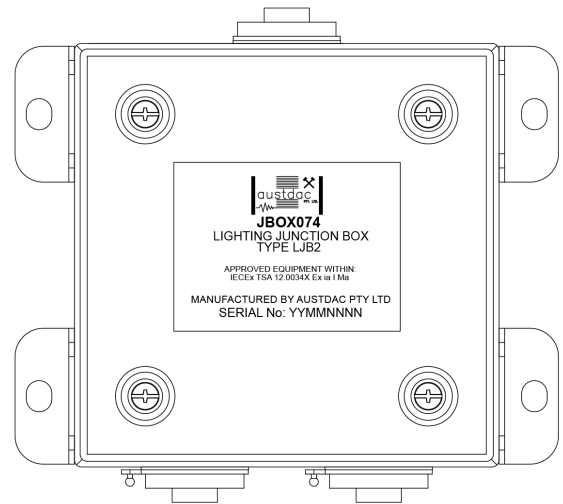


- ✂ **IECEX certified**
- ✂ **Stainless steel construction**
- ✂ **Powers one SS11-6L light**
- ✂ **Convenient plug and socket terminations**
- ✂ **Suitable for daisy chain installations**
- ✂ **IP56**



DESCRIPTION

The intrinsically safe junction box type LJB2 is part of the Austdac area lighting system type LLS1 that is designed to provide plant and area illumination in underground coal mines. The LJB1 finds application on longwalls, around load centres and on machinery such as road headers, continuous miners and roof bolters for general area illumination.

The LJB2 junction box provides a convenient method of connecting LED luminaires type SS11-6L to a single power supply such as the Austdac AC36W. The LJB2 is designed for a daisy chain installation.

The junction box is provided with up to three two-pin input connector for connection to the power source and one six-pin connector for connection to luminaires type SS11-6L. The use of connectors in the LED lighting system allows for convenient fast installation and tear down during longwall moves.

The lighting junction box type LJB2 is certified intrinsically safe as either Ex ib I Mb for power systems that are shut down in mine 'gassed out' situations or Ex ia I Ma for situations where area lighting is required during mine 'gassed out' situations such as self rescuer caches. The perfect power source would then be the Austdac uninterruptable power

supply type 12/NMH/288.

The junction box and connectors are ingress protected to IP56 allowing the system to be washed down when required.

CERTIFICATION

The lighting junction box type LJB2 is IECEX certified for use in group I hazardous areas as part of the LLS1 LED lighting system certification

IECEX TSA 12.0034X Ex ia I Ma or Ex ib I Mb



SPECIFICATION

GENERAL	
Name	Lighting junction box
Type	LJB2
Mounting	Mounting ears (8mm dia holes)
Size	95mm (H) x 192mm (W) x 163mm (D)
Mass	2kg*
Power Input / Output connections	Up to 3 x 2 pin connector
Light output connections	1 x 6 pin connectors
Ingress protection	IP56
Enclosure material	Stainless steel
Gasket material	Silicone*

* To be confirmed

LUMINAIRE (HEAD) OUTPUT (X4)	
Number of SS11-6L	1 maximum
Connector type	6 pins
Uo	12.6Vdc
Io	1.49A
Lo/Ro	99uH/Ω

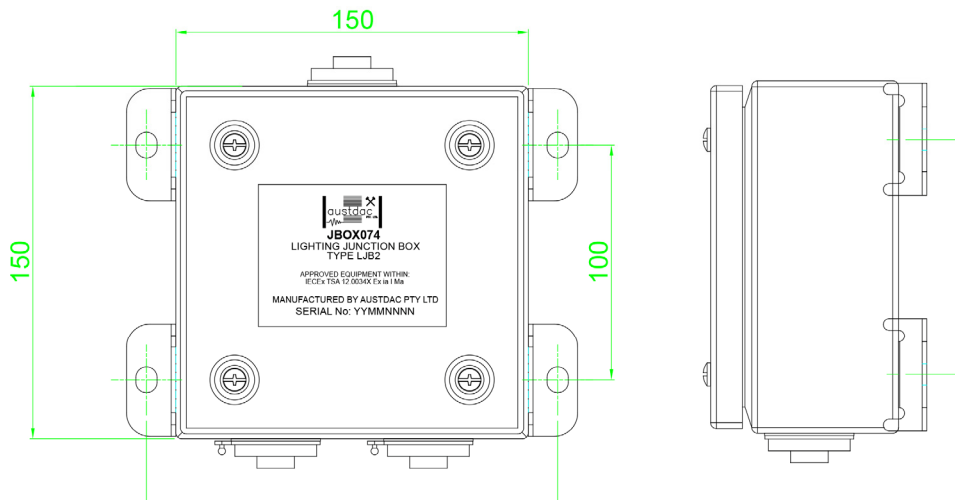
POWER SUPPLY INPUT / OUTPUT (X1 – X3)	
Ui	12.6Vdc
li	3.3A
Ci	0uF
Li	0uH

CONNECTION

POWER CONNECTORS X1, X2, X3 (optional)	
PIN	FUNCTION
1	+VE
2	-VE

LIGHT OUTPUT CONNECTOR X4	
PIN	FUNCTION
1	+VE
2	-VE
3	SCREEN
4	+VE
5	-VE
6	SCREEN

DIMENSIONS



ORDERING DETAILS

DESCRIPTION	ORDER CODE
LIGHTING JUNCTION BOX TYPE LJB2	JBOX074



AUSTDAC PTY LTD
 HEAD OFFICE: CASTLE HILL AUSTRALIA
 MACKAY QLD AUSTRALIA BRANCH
 NORTH AMERICA BRANCH
 STAFFORDSHIRE UK BRANCH

+61 (0) 2 8851 5000
 +61 (0) 7 4955 2777
 +1 888 254 9155 (Toll Free in US and Canada)
 +44 (0) 1283 500 500



WEB

www.austdac.com.au