

COMMANDER

Plastic Bodied Heavy Duty Telephone



- Standard and SMART Analogue and VoIP-SIP options available
- Vandal resistant handset and cord
- Robust and weather resistant: IP65
- Full keypad, CB and 1, 3 and 6 button programmable autodialler telephones
- 2 x RJ45 Connectors as option for VoIP*
- Audio Path Testing
- Dual purpose design for wall or desk mounting, simple installation
- Large tactile buttons, easy to see and operate
- Inductive Coupler fitted as standard for hard of hearing
- Standard or customised units
- Handset cord length options
- CE Compliant

The Commander family of telephones are tough, weather resistant units built to withstand abuse and environmental extremes.

The Commander body is moulded in glass filled polyester to prevent rust and corrosion. It is simple to install with fixings concealed from view giving increased security from vandalism.

Connectivity options are:

Standard Analogue

The standard analogue unit provides basic telephone functions and can be connected to any standard two-wire telephone line, including FXS ports, analogue PABX lines and PSTN.

SMART Analogue

Self Monitoring And Reporting Telephone can be integrated with GAI-Tronics' TMA monitoring and maintenance software. SMART gives advanced features including remote programming, fault monitoring and call logging, all from a line-powered telephone capable of operating up to 7km from the exchange on a two-wire cable.

Voice over IP (SIP protocol)

GAI-Tronics VoIP-SIP telephones support Power over Ethernet (PoE) to combine power and connection to LAN

or WAN. GAI-Tronics telephones now feature a secondary RJ45 port option which allows two or more telephones to be connected in series*. GAI-Tronics VoIP-SIP phones offer a wealth of additional features including real-time reporting via Syslog, and can be configured by web browser.

Keypad Options:

15 button Full Keypad

The 15 button keypad versions include: S 'Microphone mute' or 'Silence', R 'Recall', LR 'Last number redial'

1, 3 & 6 button Autodiallers

These models are programmable via an internal keypad. A microphone muting facility guards against unauthorised calls made with a remote MF tone pad. To make a call, simply lift the handset and press a single button. The pre-programmed number (up to 24 digits) will then dial automatically.

0 button CB

This can be used to initiate a PABX 'hotline' or lift handset and wait for reply, where the PABX does the call routing/dialling. Autodial on handset lift also available.



* Contact GAI-Tronics for clarification of application

Commander Telephone - Technical Specifications

General Specifications

Casing Material: Glass filled polyester.

Colours: yellow, other colours to special order

Handset Material: Cycloy with stainless steel spiral cord, or curled cord

Keypad: Weathersealed tactile digital keypad. Silicone rubber material, resistant to most chemicals and solvents

Operating temperature: -20° C to +60° C

Weather Resistance: Up to IP65

Ring Tone: Shrill warble tone 80 dBA @ 1 metre typical

Hookswitch: Electronic / magnetic with no visible moving parts

M.T.B.F. : Calculated to have an M.T.B.F. in excess of 50,000 hours using MIL-HDBK-217F Notice 2

Weight: 3 kg approx

Standard Analogue

Dialling: LD (pulse) or MF (tone). User selectable

Time Out: Enforces a fixed call maximum time limit to 6-8 minutes from lifting the handset. User selectable

Power supply: Drawn from telephone line

Lightning / Transients: Protection to ITU-T K.21 enhanced levels

SMART Analogue

All the features of the standard analogue unit plus:

Remote programming: Auto-dial numbers, time-out and dial mode can be programmed over the phone line either from a tone phone or from monitoring software (TMA).

Configuration: Remotely programmable via TMA

Remote monitoring: Remote health-check and fault reporting, including handset integrity, either on a call-in or polled basis. TMA required

Call Logging: Records call time, duration and auto-dial number used. TMA required

Voice over IP - SIP

Connection type: 2 x RJ45 sockets (inside sealed enclosure) as option

Power supply: External 24-48Vdc or Power-Over-Ethernet (PoE 802.3af compliant)

Power requirement 7W max (4W idle)

Call set-up Protocol: Session Initiation Protocol (SIP) (RFC 3261) only

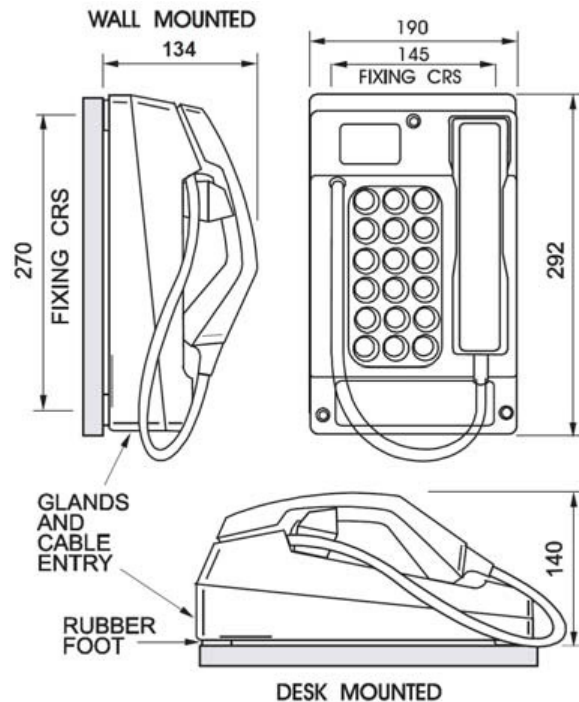
Configuration: Via configuration file or web page. Static IP address provisioning or DHCP

External I/O: 4 auxilliary inputs, 2 isolated relay outputs, capable of switching 230Vac

Monitoring and reporting: Real-time over TCP/IP proprietary Syslog application

Audio Path Testing: Allows remote testing of microphones and speakers, to verify that a phone is functioning acoustically. Can be run on demand or on a scheduled basis, reporting its results via Syslog and / or email.

Dimensions



Approvals



This mark indicates compliance with the:
Radio & Telecommunications Terminal Equipment Directive
1999/5/EC (R&TTE)
2011/65/EC- RoHS 2 Directive



This mark indicates compliance for inductively coupling to Hearing Aids having a 'T' switch position
Tested to ETS 300-381 and in accordance with ITU-T P37.



Empowered by Innovation

For specific country approval, please call

Optional Accessories

Please ask for Brochure **B150** or visit www.gai-tronics.co.uk

Order Information

For order codes and details, please contact GAI-Tronics:

T: 01283 500500, F: 01283 500400, E: sales@gai-tronics.co.uk

As well as the standard Commander range, GAI-Tronics can supply specials to order with customised options.

www.gai-tronics.co.uk



UK: Tel: +44 (0) 1283 500500
USA: Tel: +1 (610) 777-1374
Italy: Tel: +39 02 4860 1460
Malaysia: Tel: +60-3-8945-4035
Australia: Tel: +61-28-851-5000

www.gai-tronics.co.uk
www.gai-tronics.com
www.gai-tronics.it
www.gai-tronics.com
www.austdac.com.au

