

- ✂ **IECEX / ATEX certified**
- ✂ **Large buttons for use with gloves**
- ✂ **10km plus phone line length**
- ✂ **One touch emergency button**
- ✂ **Microphone mute button for noisy environments**
- ✂ **Ring strobe for noisy environments**

DESCRIPTION

The Mine Telephone type A103 is designed for use in underground mining applications where reliable voice communications are required between underground facilities and between underground and surface based facilities.

The A103 and its surface located phone system type ST2 are connected to a host PABX to provide seamless communications throughout the entire mine site. The A103 phone can take advantage of the entire host PABX advanced features to provide a fully integrated phone communications system.

The A103 phone provides 'one touch' emergency dialing via configured stored extension number or emergency tone dialing.

The A103 will operate on phone lines with lengths of 10km plus and may be used in party line configurations with up to three phones over shorter distances.

Twin internal speakers are provided for ring and public address broadcasts and evacuation tone for emergencies (PMII).



The front mounted strobe also flashes when the phone rings to further attract the attention of crew in noisy environments.

CERTIFICATION

The Mine Telephone type A103 is IECEx certified for use in Group I hazardous areas under certificate IECEx ITA 12.0006X Ex ia I for direct connection to a host ST2 telephone system.

Note: The Mine Telephone type A103 is not certified for use with the ST/1 Telephone System.

SPECIFICATION

GENERAL

Name	Mine Telephone
Type	A103
Max phone line length	10km+ (0.9mm dia wire)
Party line operation	3 phones
One touch emergency button	1850Hz tone or stored extension number
ST2 system compatibility	Yes
Internal battery	BP004 (ST061B)
Size	490mm(H) x 230mm(W) x 145mm(D)
Mounting centres	
Mass	10kg
Strobe colour	Red

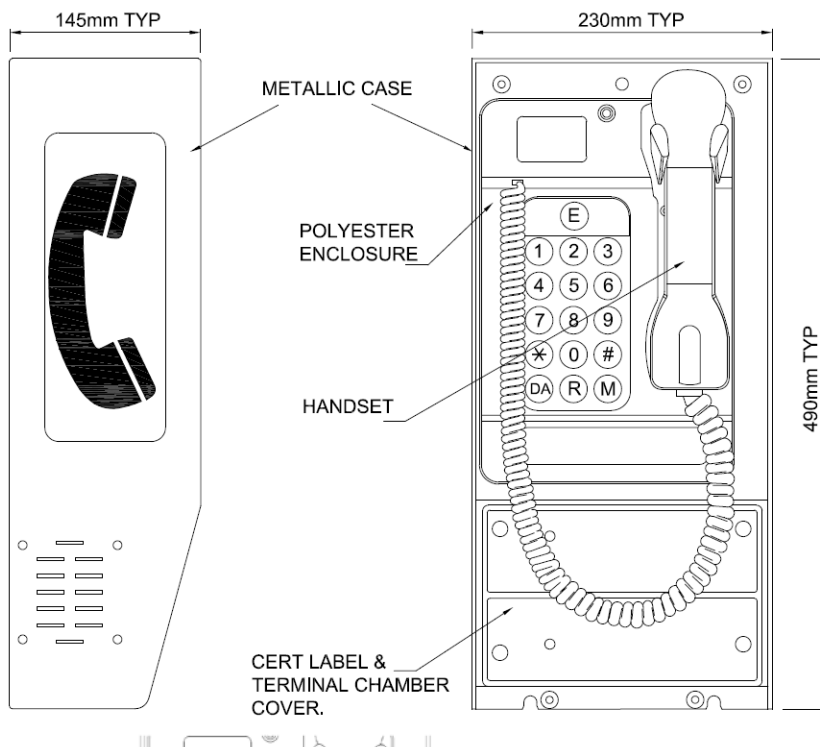
ENTITY PARAMETERS - PHONE LINE

Ui	27.3Vdc
Ii	500mA
Pi	3.54W
Ci	220nF
Li	0uH
Uo	9.6Vdc
Io	0mA
Po	0W

ENTITY PARAMETERS - AUX OUTPUT

Ui	25Vdc
Ii	2.5A
Pi	5W
Uo	0V
Ci	0uF
Li	0uH
Um	25.3V

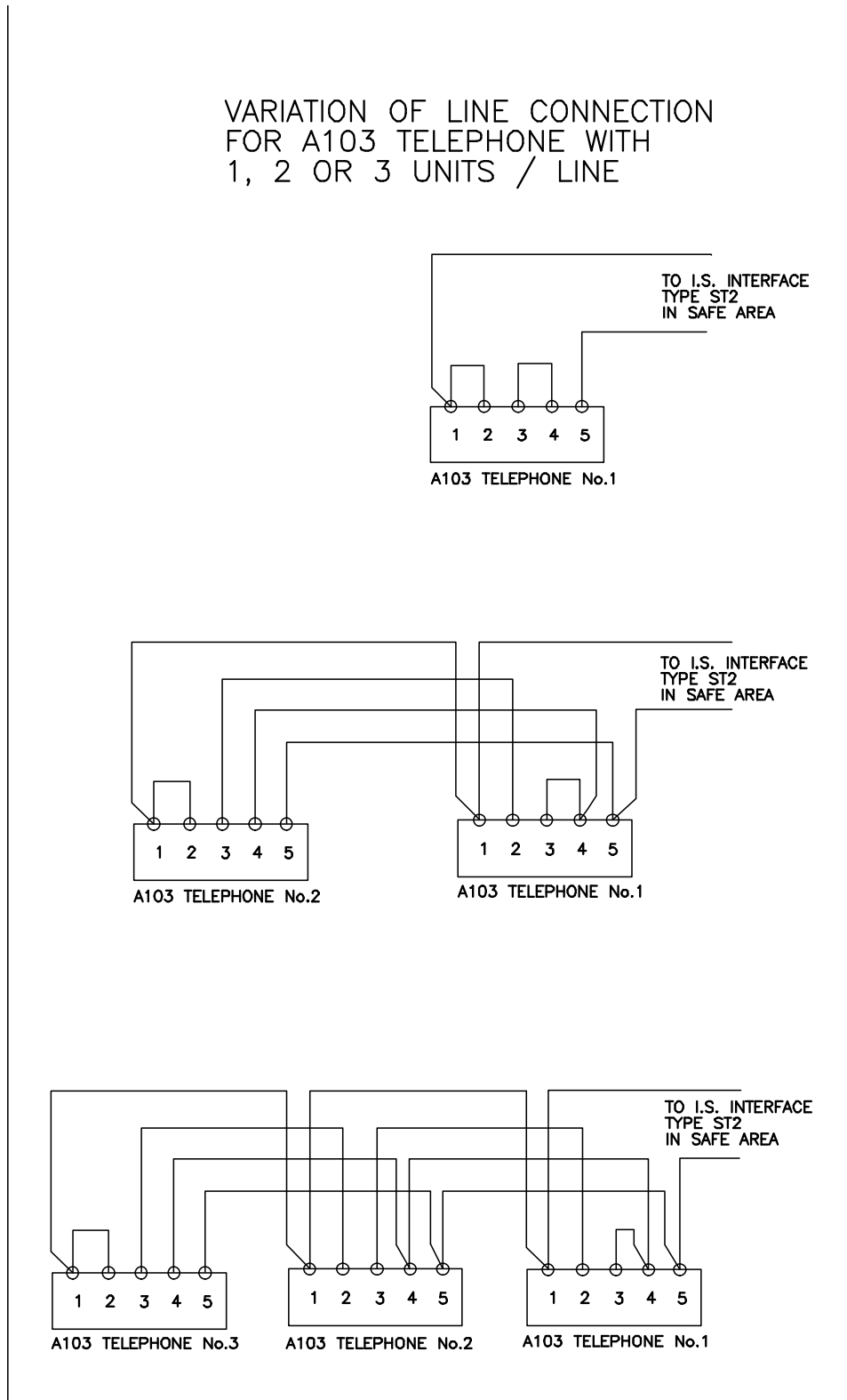
DIMENSIONS





CONNECTION DIAGRAM

VARIATION OF LINE CONNECTION FOR A103 TELEPHONE WITH 1, 2 OR 3 UNITS / LINE



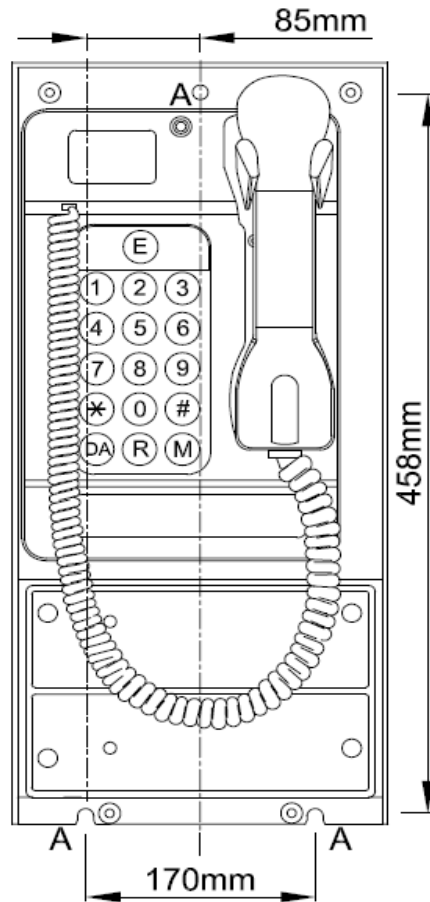


MOUNTING DETAILS

Mounting options

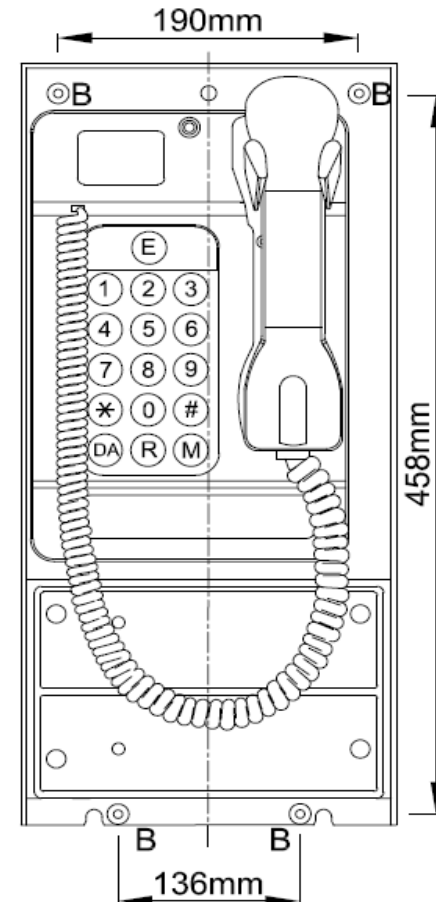
FIXING POINTS 'A':

3 X CUT OUTS FOR SOLID WALL MOUNTING (IDENTICAL TO THE A101 MINE TELEPHONE).



FIXING POINTS 'B':

4 x M6 NUTSERTS FOR THIN WALL MOUNTING.



ORDERING DETAILS

DESCRIPTION	ORDER CODE
MINE PHONE A103	ST225
MINE PHONE A103 + EMERGENCY BUTTON COVER	ST225A
BATTERY TYPE BP004	ST061B
OPTIONAL BRACKETS CAN BE SUPPLIED	Contact Austdac



AUSTDAC PTY LTD

HEAD OFFICE: CASTLE HILL AUSTRALIA
 MACKAY QLD AUSTRALIA BRANCH
 NORTH AMERICA BRANCH
 STAFFORDSHIRE UK BRANCH

+61 (0) 2 8851 5000
 +61 (0) 7 4862 4900
 +1 888 254 9155 (Toll Free in US and Canada)
 +44 (0) 1283 500 500

