

- ✂ **Single digital channel**
- ✂ **Line powered**
- ✂ **Low power consumption**
- ✂ **Small size**
- ✂ **Programmable address**



DESCRIPTION

The single channel digital transmitter type SILBUS8161 is a small line powered SILBUS transmitter capable of transmitting the status of a single voltage free contact.

The SILBUS8161 is designed for sensing the status of remote voltage free contacts such as emergency stop, pullkey, belt wander, belt rip and blocked chute switches on long conveyors to name but a few.

The transmitter is line powered from the two-wire SILBUS network cable that reduces installation and cabling costs.

The applications of the SILBUS8161 are not limited to conveyor installations but include any situation where the status of a remote switch contact or relay contact is required to be monitored.

Because of its low power consumption many single channel digital transmitters type SILBUS8161 can be connected to a SILBUS network.

The SILBUS8161 can be conveniently configured to any valid SILBUS channel using the battery powered programmer type GAP1605.

The SILBUS8161 single channel transmitter is provided with a connector and flying leads to allow direct wiring within the panel or switch compartment where the switch contact is located. The connector

allows easy movement and programming during system reconfigurations such as belt extensions or retractions.

The single channel digital transmitter type SILBUS8161 has been verified as being a SIL2 digital transmitter for use in conveyor emergency stop and remote isolation applications.

CERTIFICATION

The single channel digital transmitter type SILBUS8161 is IECEx certified for use in group I hazardous areas under certificate IECEx TSA 07.0002X Ex ia I.

The single channel digital transmitter type SILBUS8161 is ATEX certified for use in group I hazardous areas under certificate Nemko 07ATEX1033

The single channel digital transmitter type SILBUS8161 is MSHA approved under the approval number 18-ISA060002-0.

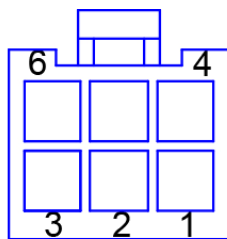
SPECIFICATION

SILBUS8161	
Name	Single channel digital transmitter
Type	8161 or SILBUS8161
Power supply	SILBUS line powered
SILBUS network current	375uA
Contact input	Voltage free contact only
Contact current	23uA
Contact voltage	2.5V
Address range	Any valid SILBUS address between A1 and P8
Size	100mm long x 20mm diameter (3.93" long x 0.78" diameter)
Mass	50g (0.11lbs)

SAFETY DATA

SFF	≥ 90%
Λ_{SAFE}	1.4×10^{-8} / hr
$\Lambda_{DANGEROUS}$	1.5×10^{-9} / hr

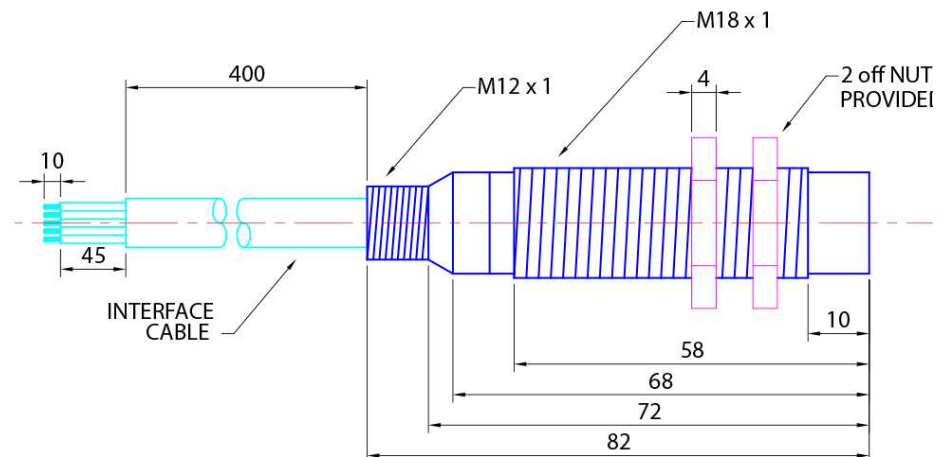
CONNECTION DIAGRAM



6 PIN
RECEPTACLE
REAR VIEW
PLG014B

Pin	Colour	Function
6	Brown	Silbus Signal
2	Green	Contact Input
5	Yellow	N/C
3	Grey	Silbus Common
	Pink	N/C
	White	N/C

DIMENSIONS



ORDERING DETAILS

DESCRIPTION	ORDER CODE
SINGLE CHANNEL DIGITAL TRANSMITTER WITH PLUG, SOCKET AND TAIL	SILBUS8161A



AUSTDAC PTY LTD

HEAD OFFICE: CASTLE HILL AUSTRALIA
MACKAY QLD AUSTRALIA BRANCH
NORTH AMERICA BRANCH
STAFFORDSHIRE UK BRANCH

+61 (0) 2 8851 5000
+61 (0) 7 4955 2777
+1 888 254 9155 (Toll Free in US and Canada)
+44 (0) 1283 500 500

