

- Provides audio communications under harsh conditions
- Pre-start alarm function
- Battery backed operation
- Ruggedised microphone
- Graphics display



## DESCRIPTION

The intercom type ABMA4 provides the audio communications and pre-start alarm sounding facilities of the PSACS1 system. Intercoms are distributed along the conveyor at fixed distances apart to provide complete sound coverage along the conveyor. During a pre-start sequence the intercom sounds the pre-start alarm through its two sideways facing speakers. These same speakers and the front panel mounted microphone are used to carry out a half duplex voice conversation with other intercoms on the conveyor or a surface located BMA exchange operator.

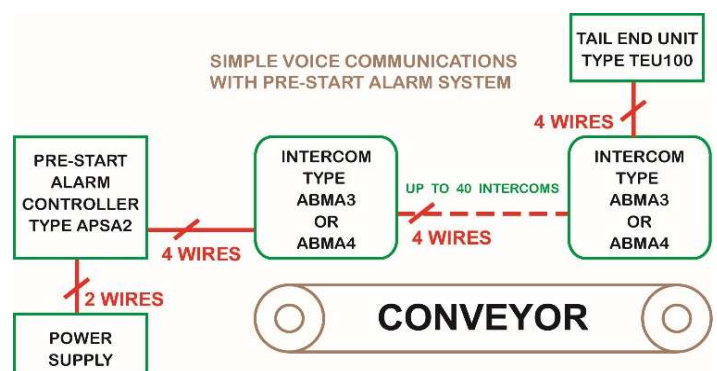


## CERTIFICATION

The intercom type ABMA4 has been certified for use as part of the Pre-Start Alarm and Communication System type PSACS1. The ABMA4 may be used within any PSACS1 system in accordance with the certificate IECEx TSA 07.0021X.

## TYPICAL APPLICATIONS

Up to 40 ABMA4 intercoms can be placed along a conveyor, along with a pre-start alarm controller type APSA2 and a tail end unit type TEU100. This adds the ability to issue an audible pre-start alarm along the entire length of the conveyor. The intercom can be type ABMA3 or ABMA4 or a combination of both.

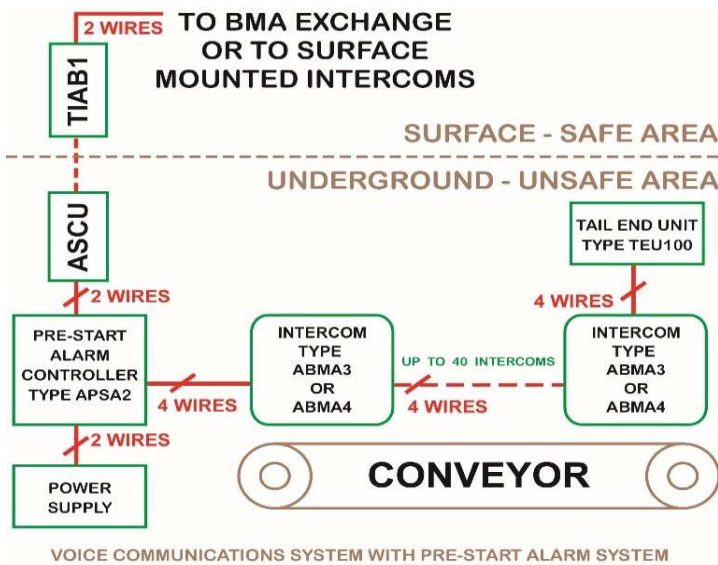




## APPLICATIONS CONTINUED

The ABMA4 intercom system, along with the pre-start alarm, can also be connected to the surface above ground, as indicated in the diagram below. This set up shows the most frequently used configuration of the PSACS1 system.

It provides voice communications and monitored pre-start alarm facilities along the entire length of the host conveyor.

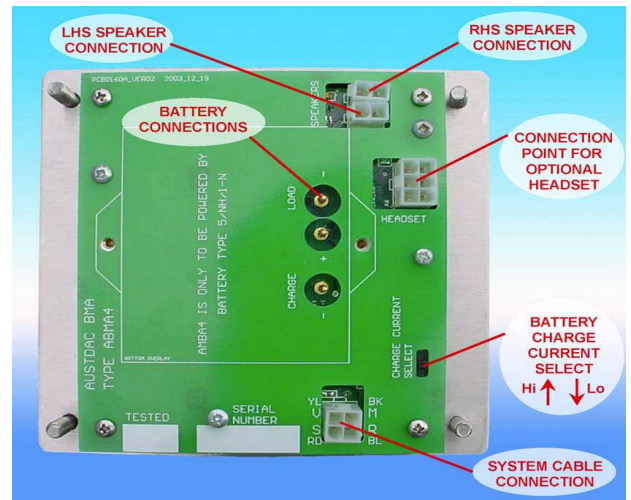


## SPECIFICATIONS

### GENERAL SPECIFICATIONS

Size	270(W)x164(H)x132(D) mm 10.6(W)x6.5(H)x5.2(D) inches
Mounting hole size	4 of 12 x 20mm round end slot
Connection options	Gland or connector cable
Enclosure material	Stainless steel
Operating Temperature	0°C - 40°C (32°F - 104°F)
Storage Temperature	0°C - 40°C (32°F - 104°F)
Enclosure Type	ENCL068

## CONNECTIONS & PIN ASSIGNMENT



### PSACS1 SYSTEM CABLE

4 Pin	Colour	Description
1	BLUE	R POSITIVE SUPPLY
2	YELLOW	V - VOICE OR TONES
3	RED	S - PRE-START ALARMS
4	BLACK	M - NEGATIVE SUPPLY

### SPEAKERS

2 Pin	Colour	Description
1	RED	SPEAKER V+
2	BLACK	SPEAKER V-
1	RED	SPEAKER V+
2	BLACK	SPEAKER V-

### BATTERY PORT

3 Pin	Colour	Description
1	BLACK	LOAD
2	RED	POSITIVE
3	BLACK	CHARGE

### JUMPER OPTION

1	HI	Hi Charge current 22mA
2	CENTRE	Shorted to either pins 1 or 3
3	LO	Lo Charge current 11mA

## ORDERING DETAILS

DESCRIPTION	ORDER CODE
BMA INTERIOR C/W LCD DISPLAY (Type ABMA4)	BMA70
Options:	
BMA AMP - LCD DISPLAY & 2 GLANDED ENTRY	BMA02M/D
BMA AMP - LCD DISP & 5 PIN PMNT SKTS S/S	BMA02N/D



**AUSTDAC PTY LTD.**  
 Head office: Castle Hill, Australia  
 Mackay, QLD, Australia  
 Pittsburgh, USA  
 Burton Upon Trent, UK

+61 (0) 2 8851 5000  
 +61 (0) 7 4955 2777  
 +1 888 254 9155 (Toll free in US & Canada)  
 +44 (0) 2 1283 500 500