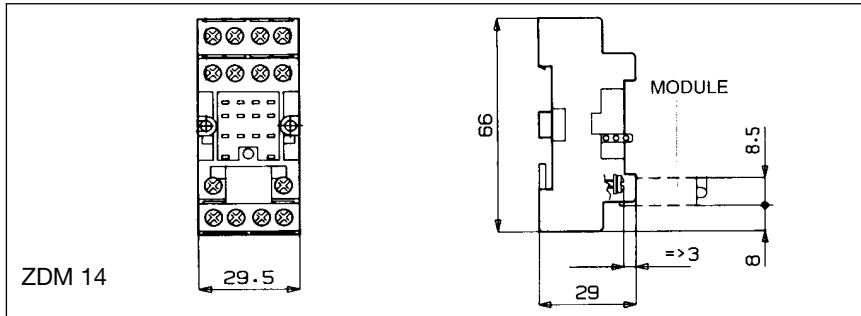


Socket for RMI relays

ZDM 14

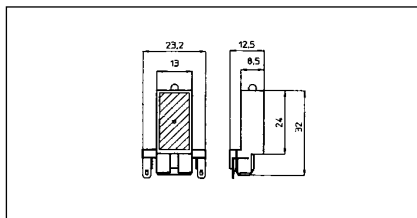


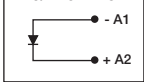
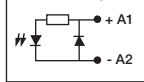
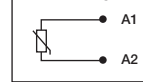
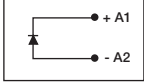
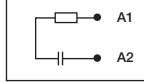
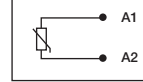
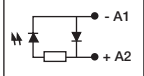
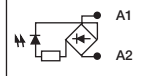
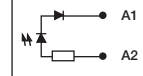
For mounting on DIN-rail (DIN 46277-3) or by two screws on chassis.
Terminal screws

Rated voltage	300 VAC
Rated current	7 A
Insulation voltage	> 3 kV
Protection degree	IP 20
Socket material	Self-extinguishing - PA 6 + GF (V1)
Contacts material	Nickel plated - Cu Zn 33
Hold-down spring (on request)	Steel - code 6.73.00.57.0
Modules (on request)	(see below)
Approvals	UL/CSA (7A 300VAC)

Module ZDM

Designed for ZDM 14 sockets

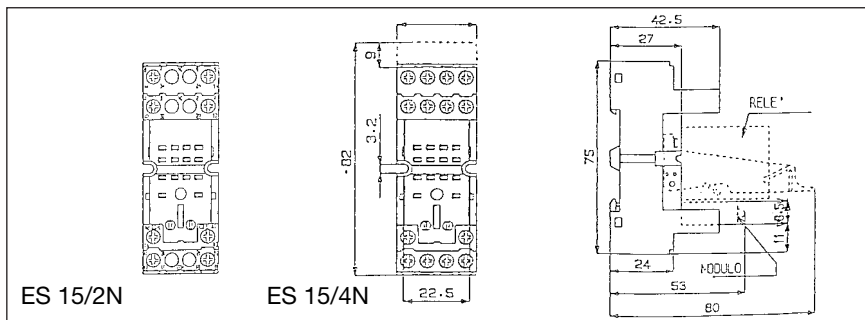
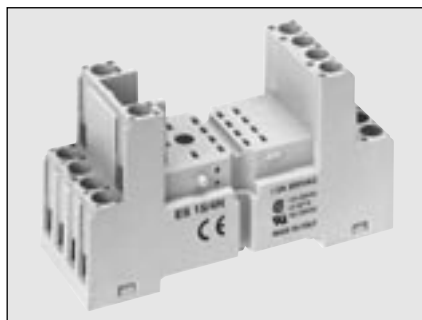


<p>TYPE 1 6/220 V DC</p> 	<p>MODULE WITH DIODE: Protection against polarity inversion 9'39.90.32.1</p>	<p>TYPE 4 24 V DC</p> 	<p>MODULE WITH DIODE & RED WARNING LED: Protection against inversion and signalling 9'39.90.32.4</p>	<p>TYPE 7 24 V AC</p> 	<p>MODULE GROUP "VARISTOR" WITHOUT WARNING: Protection against overvoltage 9'39.90.32.7</p>
<p>TYPE 2 6/220 V DC</p> 	<p>MODULE WITH DIODE: Protection against polarity inversion 9'39.90.32.2</p>	<p>TYPE 51 110/230 V AC</p> 	<p>MODULE GROUP "RC" WITHOUT WARNING: Noise suppressor 9'39.90.32.5</p>	<p>TYPE 8 230 V AC</p> 	<p>MODULE GROUP "VARISTOR" WITHOUT WARNING: Protection against overvoltage 9'39.90.32.8</p>
<p>TYPE 3</p> 	<p>MODULE WITH DIODE & RED WARNING LED: Protection against inversion and signalling 9'39.90.32.3</p>	<p>TYPE 61 6/24 V AC/DC</p> 	<p>MODULE WITH DIODE & RED WARNING LED: Warning protection LED and signalling 9'39.90.32.6</p>	<p>TYPE 9 110/230 V AC</p> 	<p>MODULE WITH RED WARNING LED*: (only with AC) 9'39.90.32.9</p>

*Note: will be replaced by the AC/DC version, with inversion of polarity on A1/A2 (110/240 VAC - 110/130 VDC).

Socket for RMI relays

ES 15/2N - ES 15/4N

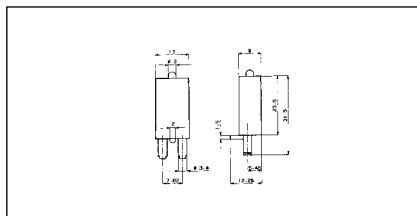


For mounting on DIN-rail (DIN 46277-3) or by two screws on chassis.
Terminal screws

Rated voltage	300 VAC
Rated current	12 A
Insulation voltage	> 4 kV
Protection degree	IP 20B
Socket material	Self-extinguishing - PA 6 + FV (V2)
Contacts material	Nickel plated - Cu Zn 33
Hold-down spring (on request)	Steel - code 6.73.00.61.3
Modules (on request)	(see below)
Approvals	CSA (12A 300VAC) UL (12A 150VAC - 10A 300AC)

Module ES

Designed for ES 15 sockets



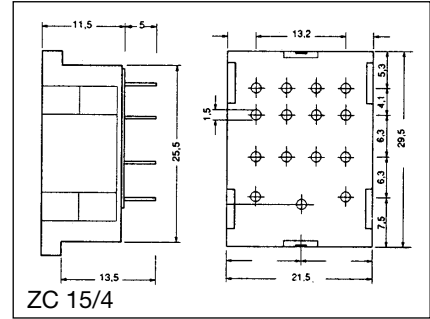
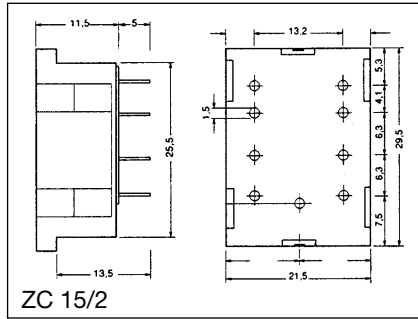
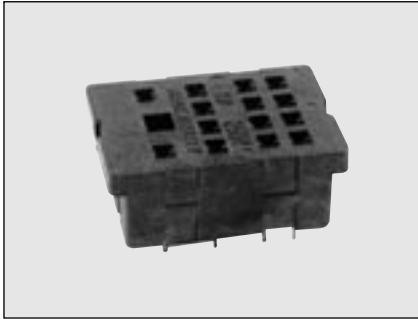
<p>TYPE 12 6/230 V DC</p>	<p>MODULE WITH DIODE: Protection against polarity inversion 9'39.90.33.0</p>	<p>TYPE 42 6/24 V DC</p>	<p>MODULE WITH DIODE: Protection against polarity inversion 9'39.90.33.1</p>	<p>TYPE 72 24 V AC</p>	<p>MODULE WITH DIODE & RED WARNING LED: Protection against inversion and signalling 9'39.90.33.2</p>
<p>TYPE 22 6/230 V DC</p>	<p>MODULE WITH DIODE & RED WARNING LED: Protection against inversion and signalling 9'39.90.33.3</p>	<p>TYPE 52 110/230 V AC</p>	<p>MODULE GROUP "RC" WITHOUT WARNING: Protection against inversion. Noise suppressor 9'39.90.33.4</p>	<p>TYPE 82 230 V AC</p>	<p>MODULE WITH DIODE & RED WARNING LED: Warning protection LED and signalling 9'39.90.33.5</p>
<p>TYPE 32 24 V DC</p>	<p>MODULE GROUP "VARISTOR" WITHOUT WARNING: Protection against overvoltage 9'39.90.33.6</p>	<p>TYPE 62 6/24 V AC/DC</p>	<p>MODULE GROUP "VARISTOR" WITHOUT WARNING: Protection against overvoltage 9'39.90.33.7</p>	<p>TYPE 92 110/230 V AC/DC</p>	<p>MODULE WITH RED WARNING LED: (only with AC) 9'39.90.33.8</p>

Accessories for Relays



Socket for RMI relays

ZC 15-2 / ZC 15-4



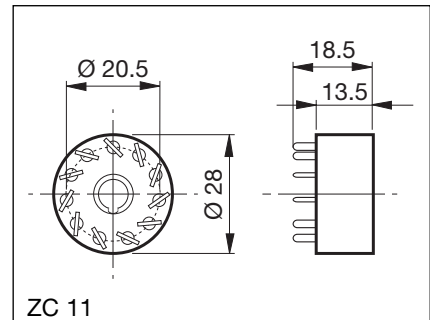
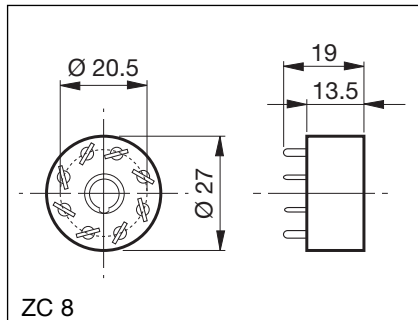
For mounting on printed circuit boards
For RMI 002 / 004 relays

Rating
Dielectric strength
Socket material
Contacts material
Hold down spring (on request)

10 A/250 VAC
1500 VAC
Noryl GFN2 SE1 self-extinguishing
Tin plated Cu Sn 6
code 6.73.00.58.0

Sockets for RCP relays

ZC8/20.5 / ZC11/22

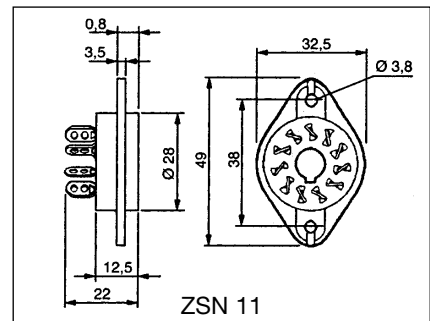
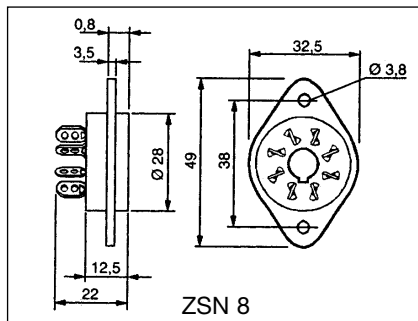


For mounting on printed circuit

Rating
Material
Contact material
Colour

10 A/250 VAC
Thermosetting
Cu Sn 7
Black

ZSN 8 / ZSN 11



For soldering or mounting on chassis
(with two screws).

Rating
Material
Contact material
Colour
Hold-down spring (on request)

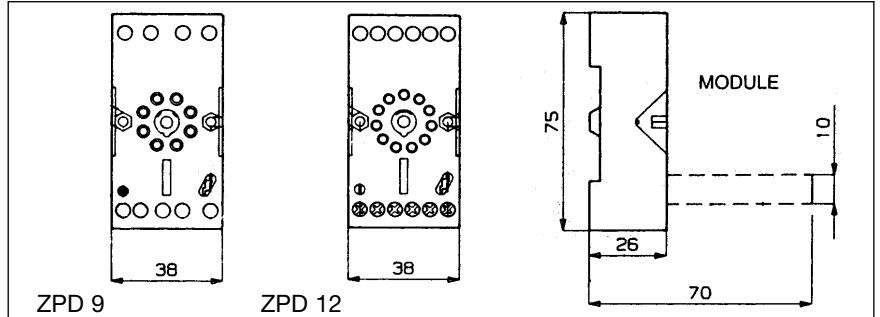
10 A/250 VAC
Thermosetting
Cu Sn 7
Black
Steel - code 6.73.00.35.0

Accessories for Relays



Socket for RCP relays

ZPD 9 / ZPD 12

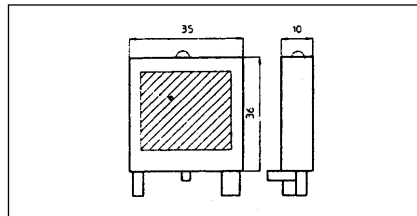


For mounting on DIN-rail
(DIN 46277-3)

Rated voltage	400 VAC
Rated current	12 A
Insulation voltage	> 3 kV
Protection degree	IP 20
Socket material	Self-extinguishing - PA 6 + GF (V1)
Contacts material	Nickel plated - Cu Zn 33
Hold-down spring (on request)	Steel - code 6.73.00.37.0
Modules (on request)	(see below)
Approvals	UL/CSA (12A 300VAC)

Module ZPD 9/12

Designed for ZPD 9 / ZPD 12 sockets

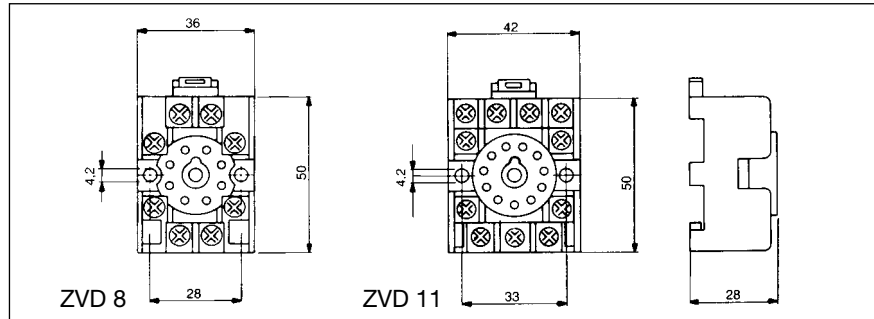
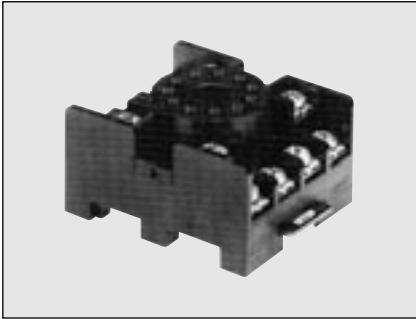


<p>TYPE 11 6/230 V DC</p>	<p>MODULE WITH DIODE: Protection against polarity inversion 9'39.90.31.1</p>	<p>TYPE 41 6/24 V DC</p>	<p>MODULE WITH DIODE & RED WARNING LED: Protection against inversion and signalling 9'39.90.31.4</p>	<p>TYPE 71 24 V AC</p>	<p>MODULE GROUP "VARISTOR" WITHOUT WARNING: Protection against overvoltage 9'39.90.31.7</p>
<p>TYPE 21 6/220 V DC</p>	<p>MODULE WITH DIODE: Protection against polarity inversion 9'39.90.31.2</p>	<p>TYPE 51 110/230 V AC</p>	<p>MODULE GROUP "RC" WITHOUT WARNING: Noise suppressor 9'39.90.31.5</p>	<p>TYPE 81 230 V AC</p>	<p>MODULE GROUP "VARISTOR" WITHOUT WARNING: Protection against overvoltage 9'39.90.31.8</p>
<p>TYPE 31 6/24 V DC</p>	<p>MODULE WITH DIODE & RED WARNING LED: Protection against inversion and signalling 9'39.90.31.3</p>	<p>TYPE 61 6/24 V AC/DC</p>	<p>MODULE WITH DIODE & RED WARNING LED: Warning protection LED and signalling 9'39.90.31.6</p>	<p>TYPE 91 110/230 V AC</p>	<p>MODULE WITH RED WARNING LED*: (only with AC) 9'39.90.31.9</p>

*Note: will be replaced by the AC/DC version, with inversion of polarity on A1/A2 (110/240 VAC - 110/130 VDC).

Sockets for RF / RB / RCP relays

ZVD 8 / ZVD 11

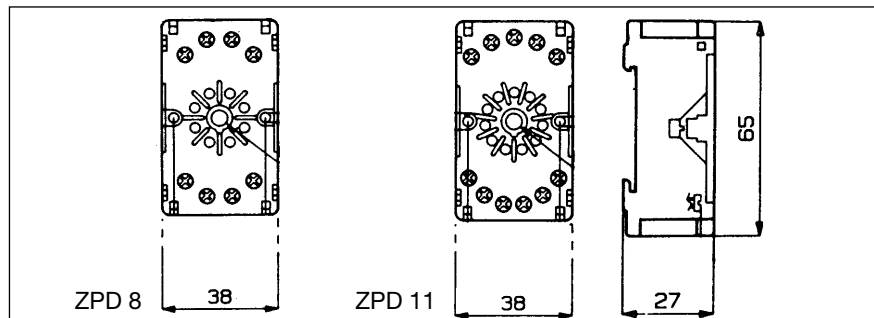
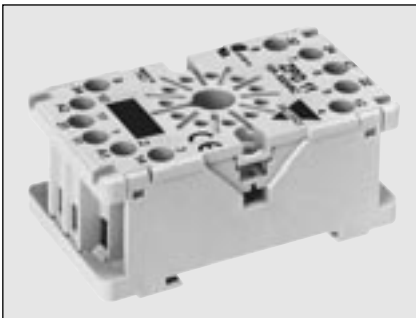


Socket for mounting DIN-rail
(DIN 46277-3)

Rated voltage
Rated current
Insulation voltage
Protection degree
Contacts material
Hold down spring (on request)

380 VAC
10 A
> 2.5 kV
IP 10
Cu Zn 37
Steel - code 6.73.00.37.0

ZPD 8 / ZPD 11



Socket for mounting DIN-rail
(DIN 46277-3)

Rated voltage
Rated current
Insulation voltage
Protection degree
Socket material
Contacts material
Hold down spring (on request)
Approvals

400 VAC
10 A
> 3 kV
IP 20
Self-extinguishing - PA6+GF (V1)
Nickel plated Cu Zn 33
Steel - code 6.73.00.37.0
UL/CSA (10A 300VAC)