



New Trolex Power Supplies & Battery Back-up Systems for Mining Applications

Power Supplies

Austdac has available a comprehensive range of power supplies and battery back-up systems for use in mining and tunnelling applications.

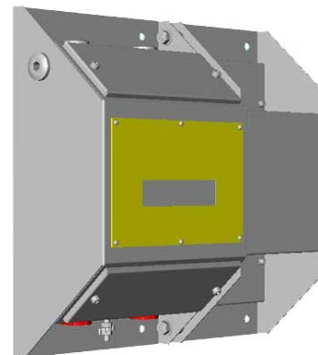
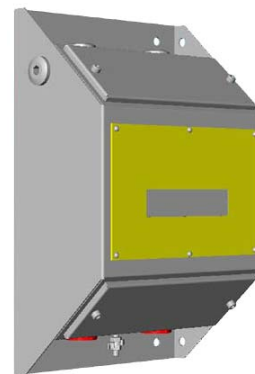
Available in Chassis, Exd or Exe Formats.

- 7.5 or 12V dc output voltage.
- 0.5, 1.0, 1.4 or 1.8 Amp output versions available.
- Output circuit incorporates voltage regulation, current limiting and continuous short circuit protection.
- I.S. isolation relays available.
- Battery back-up system available with automatic bumpless changeover and battery capacity monitoring.
- Chassis version for mounting into existing Exd enclosures.



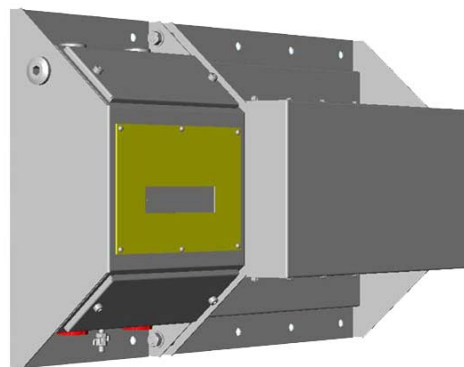
Technical Details:

Input Voltage:	24V ac, 110V ac, 230V ac 50/60Hz
Output Voltage:	7.5V dc \pm 0.2V or 12V dc \pm 0.2V
Output Current Options:	0.5A, 1A, 1.4A, 1.8A (Limited to 1 amp if a back-up battery is connected.)
Output Ripple/Noise:	150mV max
Line Regulation:	<5% over the input voltage range.
Load Regulation:	<5% over 10...100% of load current.
Voltage Limiting:	Over voltage detection with fuse rupturing 'crowbar' protection and short circuit protection.
Current Limiting:	Automatic current limiting to the intrinsically safe output also limits the current to less than the rupturing capacity of the output protection fuse.
Max. Operating Temp:	-20°C... +55°C
Storage Temperature:	-20°C... +70°C
Humidity:	0...95% RH, non-condensing



Options:

Input Voltage Options:	24V ac 110V ac 230V ac
Output Current Options:	0.5A 1.0A 1.4A 1.8A
Output Voltage Options:	7.5V dc Exi. 12V dc Exi.



New South Wales:

Tel: +61 (2) 8851 5000
Fax: +61 (2) 9899 2490
austdac.nsw@austdac.com.au

Page 1 of 1

www.austdac.com.au

Brochure No:

03-269-35-xx01-02_power_supplies_mining_tunnelling.indd

Queensland:

Tel: +61 (7) 4955 2777
Fax: +61 (7) 4955 2922
austdac.qld@austdac.com.au

ABN: 31 002 654 695

AUSTDAC PTY. LTD.