



New Approved Compact Relay Isolation Barrier Type ARST1 Series 2

General Information

This unit has been provided to give a galvanic isolation of 1.55kV. It is capable of interfacing electrical I.S trip circuitry into the main pilot circuit of mobile machinery or any other pilot interface. The unit is fully potted and easily retrofitted into existing enclosures. The ARST1 Series 2 is the smallest pilot relay available, allowing it to be fitted into the most crowded control enclosure. The unit is DIN rail mounted for ease of installation.



*BARRIER, RELAY ISOLATION
Type ARST1 Series 2
Part Number: BARR015A*

The ARST1 Series 2 may also be used to interface I.S. trip circuitry directly to circuit breakers operating up to voltages of 1.55kV.

Dimensions

Height 100mm x width 80mm x length 145mm

Approvals

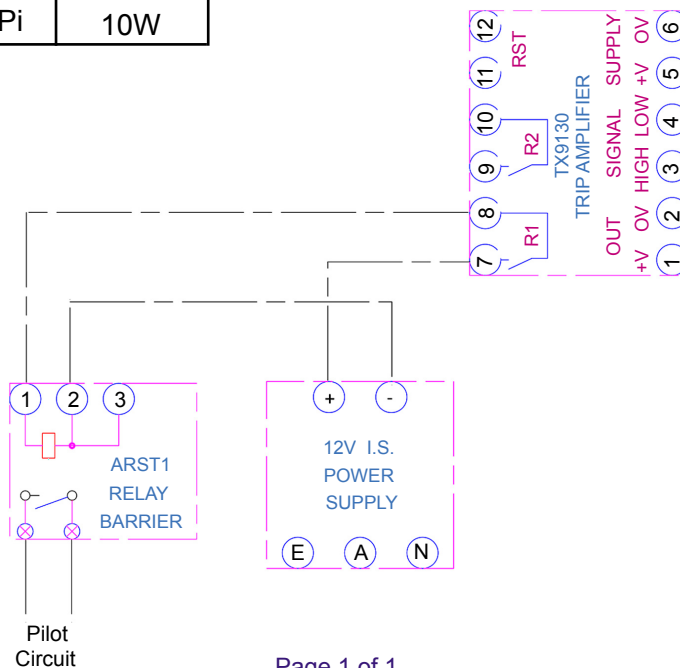
MDA Exia 10194
MDA Ex(ia) 10194

Certification

Certificate number AUS Ex 3690X
Exia I/IIC T4 Ex(ia) I/IIC

Parameters

Ui	26.5V	Um	1.55kv	Operating Characteristics	
li	2.37A	Im	10 amp	Umin	7.0V
Ci	0	Pm	500VA	Imax	16mA
Li	0				
Pi	10W				



Page 1 of 1

www.austdac.com.au

Brochure No:

03-129-35-xx01-07_relay_isolation_barrier_compact.indd

New South Wales:

Tel: +61 (2) 8851 5000

Fax: +61 (2) 9899 2490

austdac.nsw@austdac.com.au

Queensland:

Tel: +61 (7) 4955 2777

Fax: +61 (7) 4955 2922

austdac.qld@austdac.com.au

A.B.N. 31 002 654 695

AUSTDAC PTY. LTD.

Gas Detection Equipment